



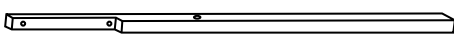

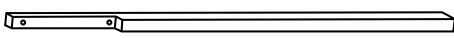





i  x2  6 mins 

 www.my-unilux.com

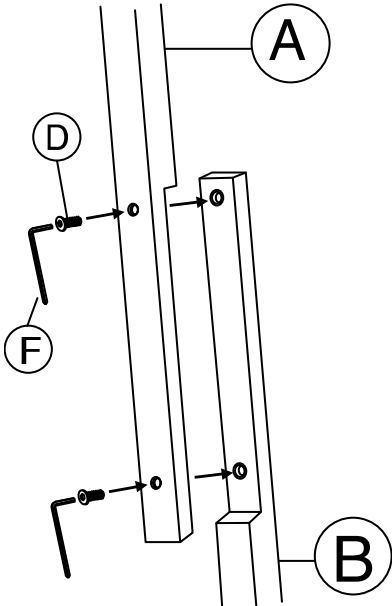
+

A x4  **D** x8 

B x4  **E** x4 

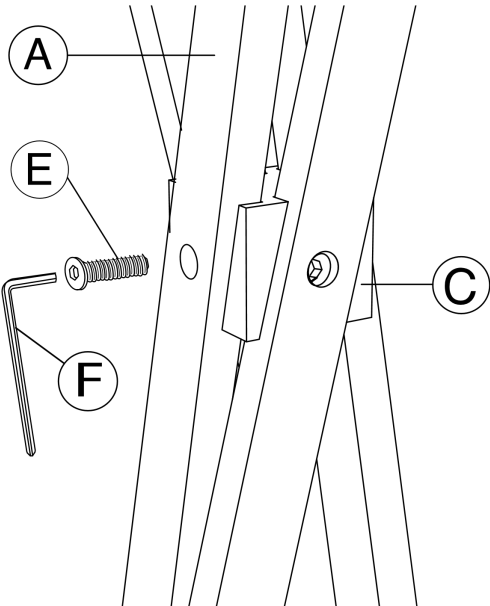
C x1  **F** x1 

1



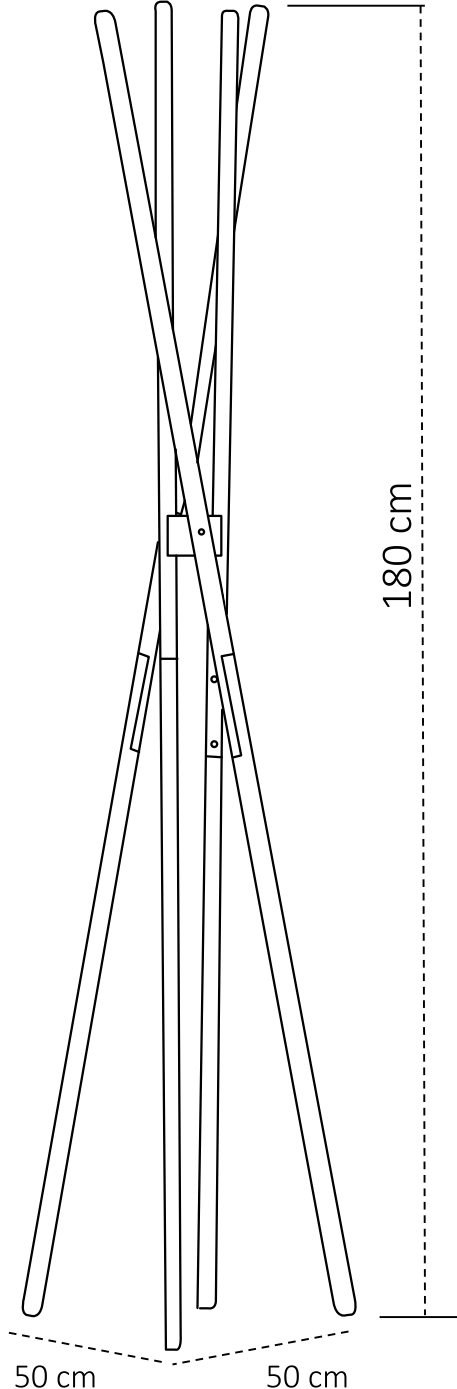
First, joined the two parts **A** and **B** together with the screws **D**. Do it with all the parts

2



Joined the assembly of pieces **A** and **B** to the central piece **C**

3



180 cm

50 cm 50 cm